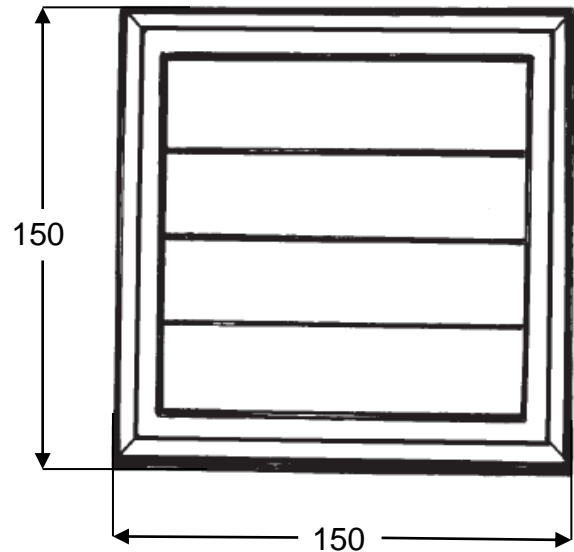
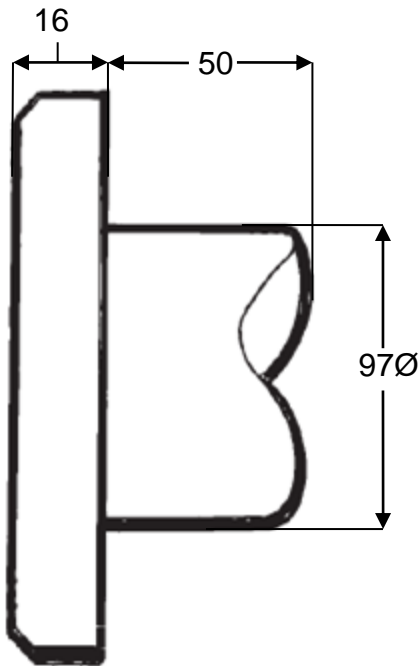


**T4MF (EXTERIOR VENTILATOR)**

**REF: T4MF**



ALL UNITS  
MEASURED  
ARE IN  
MILLIMETRES

**General**

The T4MF is an exterior fitted wall ventilator; it is used in conjunction with 4 inch (100mm) ducting. The gravity flaps installed on this vent helps diminish back draughts and has been set behind the framework to reduce clacking in crosswinds, it has an elongated spigot to ease with attaching the ducting onto the vent. The screw mountings are hidden behind the flaps which keeps this product as aesthetically pleasing as possible. This product is used in conjunction with Airflows AIRDUCT RANGE

**Details**

<b>REF</b>	T4MF	<b>MANUFACTURING PROCESS</b>	Injection moulded
<b>BOX SIZE (MM)</b>	355 X 290 X 290	<b>MATERIAL</b>	HIPS – High Impact Polystyrene
<b>PALLET SIZE (M)</b>	1 X 1.2 X 2.25		
<b>FREE AREA</b>	N/A		
<b>PACKING</b>	Product per box = 20, Boxes per pallet = 77		
<b>WEIGHT</b>	Product = 103g, Box = 2.35kg, Pallet = 210kg	<b>COLOUR</b>	Black, Brown, Buff, Terracotta, Grey, White

**References**

Version 1.0

19/01/2016

DRN BY T.S.HUI SH

DRG No. T4MF-01

**Airflow(Nicoll Ventilators) Limited, Unit 15 Queensway, Stem Lane Industrial Estate, New Milton, Hampshire, BH25 5NN**  
Telephone: 01425 611547 FAX:01425 638912 e-mail:sales@airflow-vent.co.uk

**Made in the UK**

Due to continuous development Airflow (Nicoll Ventilators) Limited reserves the right to amend the specification without notice.