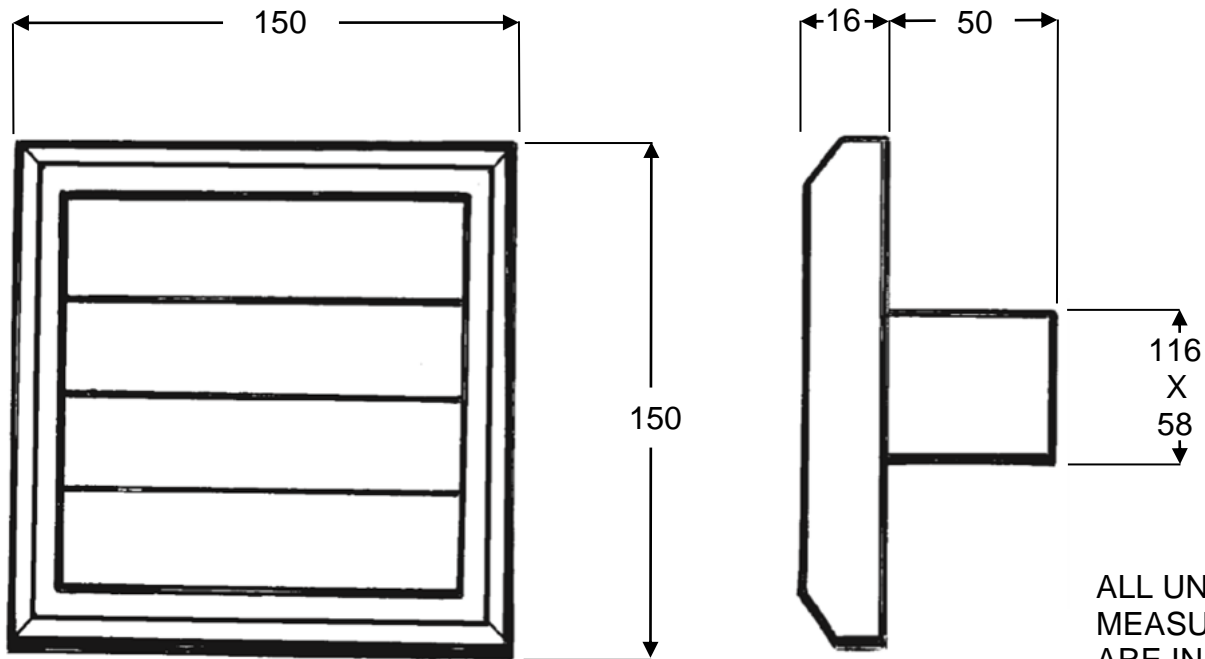


**T4RF (EXTERIOR VENTILATOR)**

**REF: T4RF**



ALL UNITS  
MEASURED  
ARE IN  
MILLIMETRES

**General**

The T4RF is an exterior fitted wall ventilator; it is used in conjunction with 54.00mm X 110.00mm ducting. The gravity flaps installed on this vent helps diminish back draughts and has been set behind the framework to reduce clacking in crosswinds, it has an elongated spigot to ease with attaching the ducting onto the vent. The screw mountings are hidden behind the flaps which keeps this product as aesthetically pleasing as possible. This product is used in conjunction with Airflows AIRDUCT RANGE

**Details**

<b>REF</b>	T4RF	<b>MANUFACTURING PROCESS</b>	Injection moulded
<b>BOX SIZE (MM)</b>	355 X 290 X 290	<b>MATERIAL</b>	HIPS – High Impact Polystyrene
<b>PALLET SIZE (M)</b>	1 X 1.2 X 2.25		
<b>FREE AREA</b>	N/A		
<b>PACKING</b>	Product per box = 20, Boxes per pallet = 77		
<b>WEIGHT</b>	Product = 114g, Box = 2.547kg, Pallet = 225kg	<b>COLOUR</b>	Black, Brown, Buff, Terracotta, Grey, White

**References**

Version 1.0	19/01/2016	DRN BY T.S.HUI SH	DRG No. T4RF-01
Airflow(Nicoll Ventilators) Limited, Unit 15 Queensway, Stem Lane Industrial Estate, New Milton, Hampshire, BH25 5NN Telephone: 01425 611547 FAX:01425 638912 e-mail:sales@airflow-vent.co.uk Made in the UK			

Due to continuous development Airflow (Nicoll Ventilators) Limited reserves the right to amend the specification without notice.