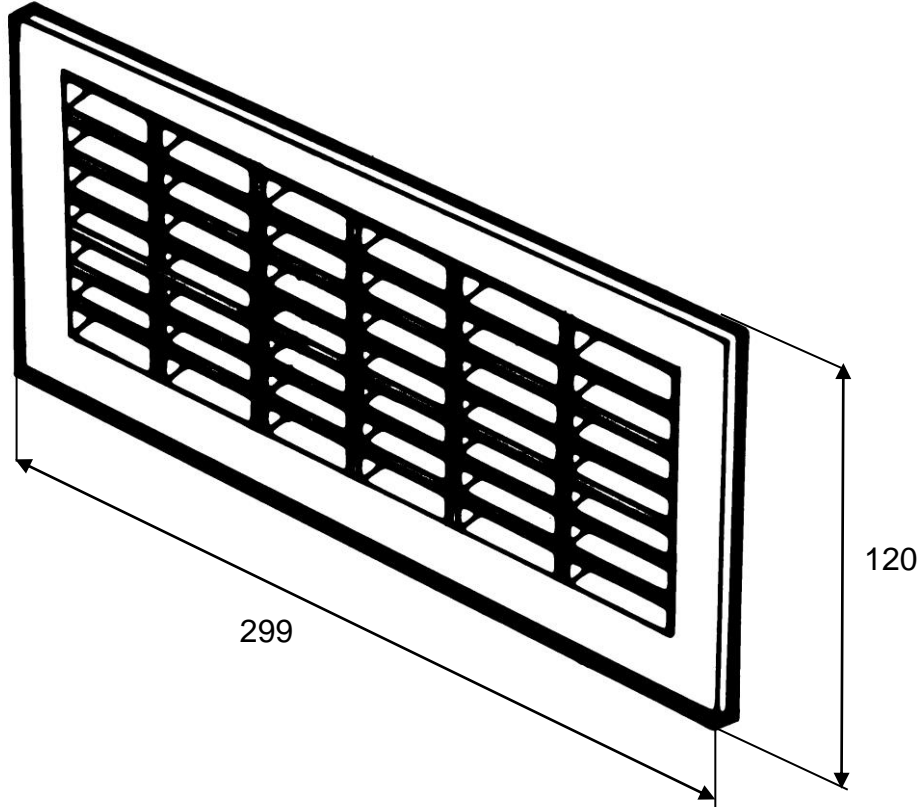


PLASTIC COMPARTMENT VENTILATOR

REF: B151

B151



General

Suitable for internal and external use. May be used each side of doors, compartments and joinery applications down to 25mm (1") in thickness.

Fly screened versions are available on request but the product is then made unsuitable for use with gas appliances.

Details

REF	B151	MANUFACTURING PROCESS	Injection Moulded
OVERALL SIZE MM.	299 x 120	MATERIAL	Plastic (High Impact Polystyrene)
SPIGOT SIZE MM.	276 x 97		
FREE AREA	150cm ²		
PACKING	Boxed Pack of 10	COLOUR	White
WEIGHT	118 grams each		

References BS5440 Pt.2:2000

Version 1.0 | 02/02/2007 | DRN DEH | DRG No. AF-B151-005

Airflow(Nicoll Ventilators) Limited, 15 Queensway, Stem Lane Industrial Estate, New Milton, Hampshire, BH25 5NN
Telephone: 01425 611547 e-mail:sales@airflow-vent.co.uk
Made in the UK

Due to continuous development Airflow (Nicoll Ventilators) Limited reserves the right to amend the specification without notice.